

Performance

| | |
|------------------------------------|-----------|
| Lifting height — on tyres | 5800.0 mm |
| Rated capacity | 3000 kg |
| Capacity (at max. height on tyres) | 2500 kg |
| Capacity (at max. reach on tyres) | 1300 kg |
| Max. reach on tyres | 3100.0 mm |

Weights

| | |
|------------------|---------|
| Weight (unladen) | 5495 kg |
|------------------|---------|

Traction

| | |
|--|---------------------------------|
| Standard tyres | SOLIDEAL 405/70-20 14PR |
| 1st gear / low range (40 km/h option) | 10 (10) km/h |
| 1st gear / high range (40 km/h option) | 31 (40 with 24 inch tyres) km/h |

Drive System

| | |
|--------------|--|
| Transmission | Hydrostatic with electronic regulation |
| Main drive | Hydrostatic motor |

Engine

| | |
|--|------------|
| Make / Model | Bobcat D34 |
| Fuel | Diesel |
| Coolant | Coolant |
| Rated power (ISO 14396:2002) at 2400 RPM | 100.0 HP |
| Rated power (ISO 14396:2002) at 2400 RPM | 74.5 kW |
| Maximum torque at 1400 RPM | 430.0 Nm |
| Number of cylinders | 4 |
| Displacement | 3.40 L |

*Stage IIIB Bobcat D34 also available in 55kW/75HP version (without SCR/Ad-Blue after-treatment)

Hydraulic System

| | |
|-------------------------------|-------------------------|
| Pump type | Gear pump with LS valve |
| Pump capacity | 100.00 L/min |
| Relief valve pressure setting | 250.00 bar |

Cycle Times

| | |
|---|-------|
| Lift time - no load | 5.3 s |
| Lower time - no load | 4.0 s |
| Telescope in time at max. reach - no load | 3.6 s |
| Telescope in time at max. height - no load | 3.6 s |
| Telescope out time at max. reach - no load | 5.0 s |
| Telescope out time at max. height - no load | 5.0 s |

Brakes

| | |
|-----------------------------|---------------|
| Engine braking | Hydrostatic |
| Parking and emergency brake | Passive brake |

Fluid Capacities

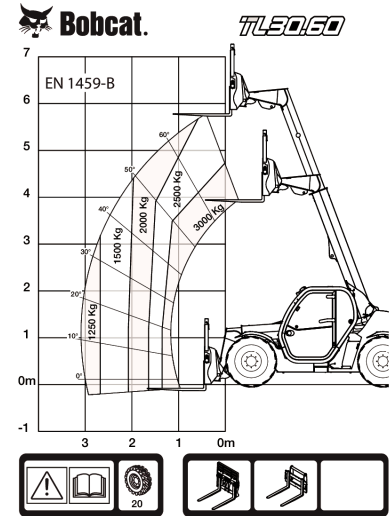
| | |
|---------------------|----------|
| Fuel tank | 115.00 L |
| Hydraulic reservoir | 47.00 L |

Environmental

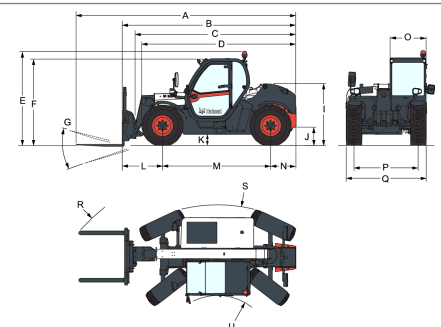
| | |
|---|-----------------------|
| Operator noise level (LpA) (EN 12053) | 77 dB(A) |
| Operator noise level (LpA) (EN 12053) uncertainty | 4 dB(A) |
| Level of acoustic power (LWA) | 106 dB(A) |
| Whole body vibration (EN 13059) | 1.70 ms ⁻² |

Load Charts

With forks and standard 405/70x20 tyres



Dimensions



| | |
|---------------|---------------|
| (-) 857.0 mm | (L) 1020.0 mm |
| (A) 5712.0 mm | (M) 2820.0 mm |
| (B) 4507.0 mm | (N) 667.0 mm |
| (C) 4140.0 mm | (O) 930.0 mm |
| (D) 4035.0 mm | (P) 1700.0 mm |
| (E) 2440.0 mm | (Q) 2100.0 mm |
| (F) 2306.0 mm | (R) 4713.0 mm |
| (G) 136.0° | (S) 4812.0 mm |
| (I) 1587.0 mm | (U) 3717.0 mm |
| (J) 264.0 mm | (U) 1329.0 mm |