

# TL30.60 AGRI Low Cab 100 IV

## Telescopic Specifications

### Performance

|                                    |           |
|------------------------------------|-----------|
| Lifting height — on tyres          | 5800.0 mm |
| Rated capacity                     | 3000 kg   |
| Capacity (at max. height on tyres) | 2500 kg   |
| Capacity (at max. reach on tyres)  | 1300 kg   |
| Max. reach on tyres                | 3100.0 mm |

### Weights

|                  |         |
|------------------|---------|
| Weight (unladen) | 5495 kg |
|------------------|---------|

### Traction

|                                        |                                                               |
|----------------------------------------|---------------------------------------------------------------|
| Standard tyres                         | Michelin tyres - set of 4 x 400/70R20" 149A8/149B IND TL XMCL |
| 1st gear / low range (40 km/h option)  | 10 (10) km/h                                                  |
| 1st gear / high range (40 km/h option) | 31 (40 with 24 inch tyres) km/h                               |

### Drive System

|              |                                        |
|--------------|----------------------------------------|
| Transmission | Hydrostatic with electronic regulation |
| Main drive   | Hydrostatic motor                      |

### Engine

|                                          |            |
|------------------------------------------|------------|
| Make / Model                             | Bobcat D34 |
| Fuel                                     | Diesel     |
| Cooling                                  | Coolant    |
| Rated power (ISO 14396:2002) at 2400 RPM | 100.0 HP   |
| Rated power (ISO 14396:2002) at 2400 RPM | 74.5 kW    |
| Maximum torque at 1400 RPM               | 430.0 Nm   |
| Number of cylinders                      | 4          |
| Displacement                             | 3.40 L     |
|                                          | 40.00      |

### Hydraulic System

|                               |                         |
|-------------------------------|-------------------------|
| Pump type                     | Gear pump with LS valve |
| Pump capacity                 | 100.00 L/min            |
| Relief valve pressure setting | 250.00 bar              |

### Cycle Times

|                                             |       |
|---------------------------------------------|-------|
| Lift time - no load                         | 5.3 s |
| Lower time - no load                        | 4.0 s |
| Telescope in time at max. reach - no load   | 3.6 s |
| Telescope in time at max. height - no load  | 3.6 s |
| Telescope out time at max. reach - no load  | 5.0 s |
| Telescope out time at max. height - no load | 5.0 s |

### Brakes

|                             |               |
|-----------------------------|---------------|
| Engine braking              | Hydrostatic   |
| Parking and emergency brake | Passive brake |

### Fluid Capacities

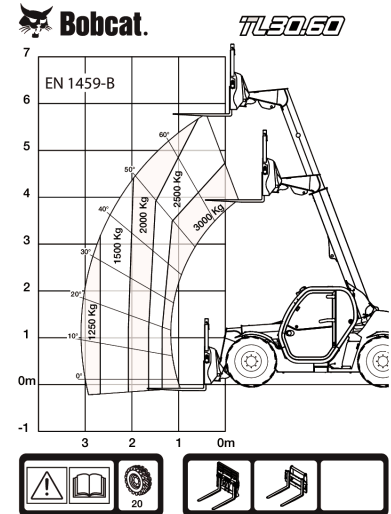
|                     |          |
|---------------------|----------|
| Fuel tank           | 115.00 L |
| Hydraulic reservoir | 47.00 L  |

### Environmental

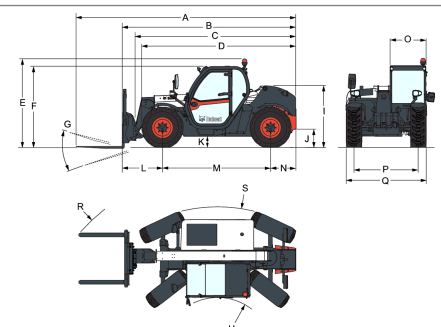
|                                                   |                       |
|---------------------------------------------------|-----------------------|
| Operator noise level (LpA) (EN 12053)             | 77 dB(A)              |
| Operator noise level (LpA) (EN 12053) uncertainty | 4 dB(A)               |
| Level of acoustic power (LWA)                     | 104 dB(A)             |
| Whole body vibration (EN 13059)                   | 1.70 ms <sup>-2</sup> |

### Load Charts

With forks and standard 405/70x20 tyres



### Dimensions



|               |               |
|---------------|---------------|
| (-) 857.0 mm  | (L) 1020.0 mm |
| (A) 5712.0 mm | (M) 2820.0 mm |
| (B) 4507.0 mm | (N) 667.0 mm  |
| (C) 4400.0 mm | (O) 930.0 mm  |
| (D) 4035.0 mm | (P) 1666.0 mm |
| (E) 2290.0 mm | (Q) 2100.0 mm |
| (F) 2100.0 mm | (R) 4713.0 mm |
| (G) 136.0°    | (S) 4812.0 mm |
| (I) 1587.0 mm | (U) 3717.0 mm |
| (J) 264.0 mm  |               |