

**Performance**

Lifting height — on stabilisers	11852.0 mm
Lifting height — on tyres	11529.0 mm
Rated capacity	3600 kg
Capacity (at max. height on stabilisers)	3200 kg
Capacity (at max. height on tyres)	2300 kg
Capacity (at max. reach on stabilisers)	1200 kg
Capacity (at max. reach on tyres)	350 kg
Max. reach on tyres	8193.0 mm

**Weights**

Weight (unladen)	8190 kg
------------------	---------

**Traction**

Standard tyres	SOLIDEAL 405/70-20 16PR
1st gear / low range	4.2 km/h
1st gear / high range	20.5 km/h

**Drive System**

Transmission	Hydrostatic with electronic regulation
Main drive	Hydrostatic motor

**Engine**

Make / Model	Bobcat D34
Fuel	Diesel
Cooling	Coolant
Rated power (ISO 14396:2002) at 2400 RPM	75.0 HP
Rated power (ISO 14396:2002) at 2400 RPM:	55.2 kW
Maximum torque at 1400 RPM	325.0 Nm
Number of cylinders	4
Displacement	3.40 L

**Hydraulic System**

Pump type	Gear pump with LS valve
Pump capacity	80.00 L/min
Relief valve pressure setting	250.00 bar

**Cycle Times**

Lift time - no load	12.5 s
Lower time - no load	7.0 s
Telescope in time at max. reach - no load	8.0 s
Telescope in time at max. height - no load	8.0 s
Telescope out time at max. reach - no load	15.5 s
Telescope out time at max. height - no load	15.5 s

**Brakes**

Engine braking	Hydrostatic
Parking and emergency brake	Passive brake

**Fluid Capacities**

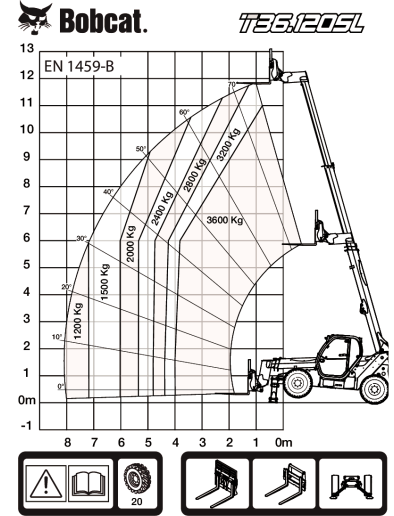
Fuel tank	145.00 L
Hydraulic reservoir	71.00 L

**Environmental**

Operator noise level (LpA) (EN 12053)	75 dB(A)
Level of acoustic power (LWA)	104 dB(A)
Whole body vibration (EN 13059)	0.90 ms <sup>-2</sup>

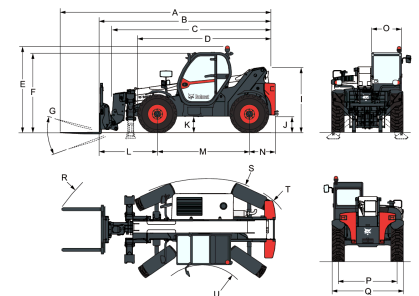
**Load Charts**

With forks and standard 405/70x20 tyres, on stabilisers



98889 G7

7294193

**Dimensions**


(-)	857.0 mm	(L)	1793.0 mm
(A)	6647.0 mm	(M)	2850.0 mm
(B)	5442.0 mm	(N)	799.0 mm
(C)	5287.0 mm	(O)	930.0 mm
(D)	4192.0 mm	(P)	1862.0 mm
(E)	2584.0 mm	(Q)	2264.0 mm
(F)	2445.0 mm	(R)	5341.0 mm
(G)	143.0°	(S)	5429.0 mm
(I)	1941.0 mm	(T)	3765.0 mm
(J)	415.0 mm	(U)	1245.0 mm